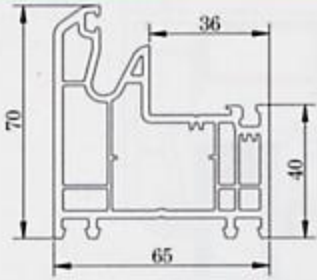
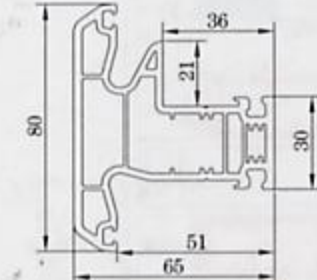


OPENING WINDOW PROFILE SYSTEM 65



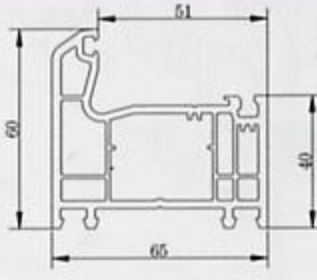
Outer Frame-BR65

Weight: 1.310 kg/m



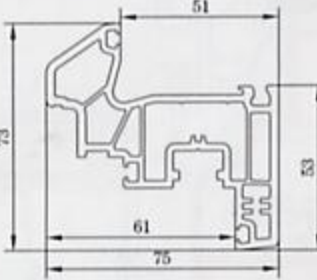
Frame Mullion-GT65

Weight: 1.300 kg/m



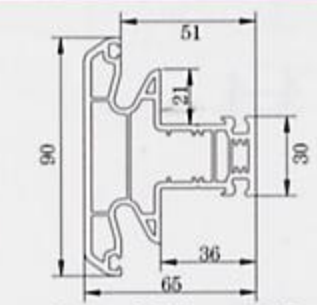
Fixed Frame-GK65

Weight: 1.160 kg/m



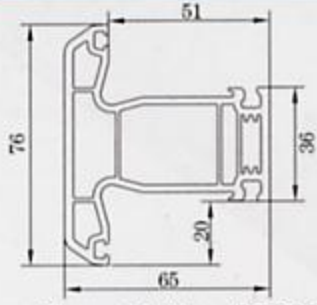
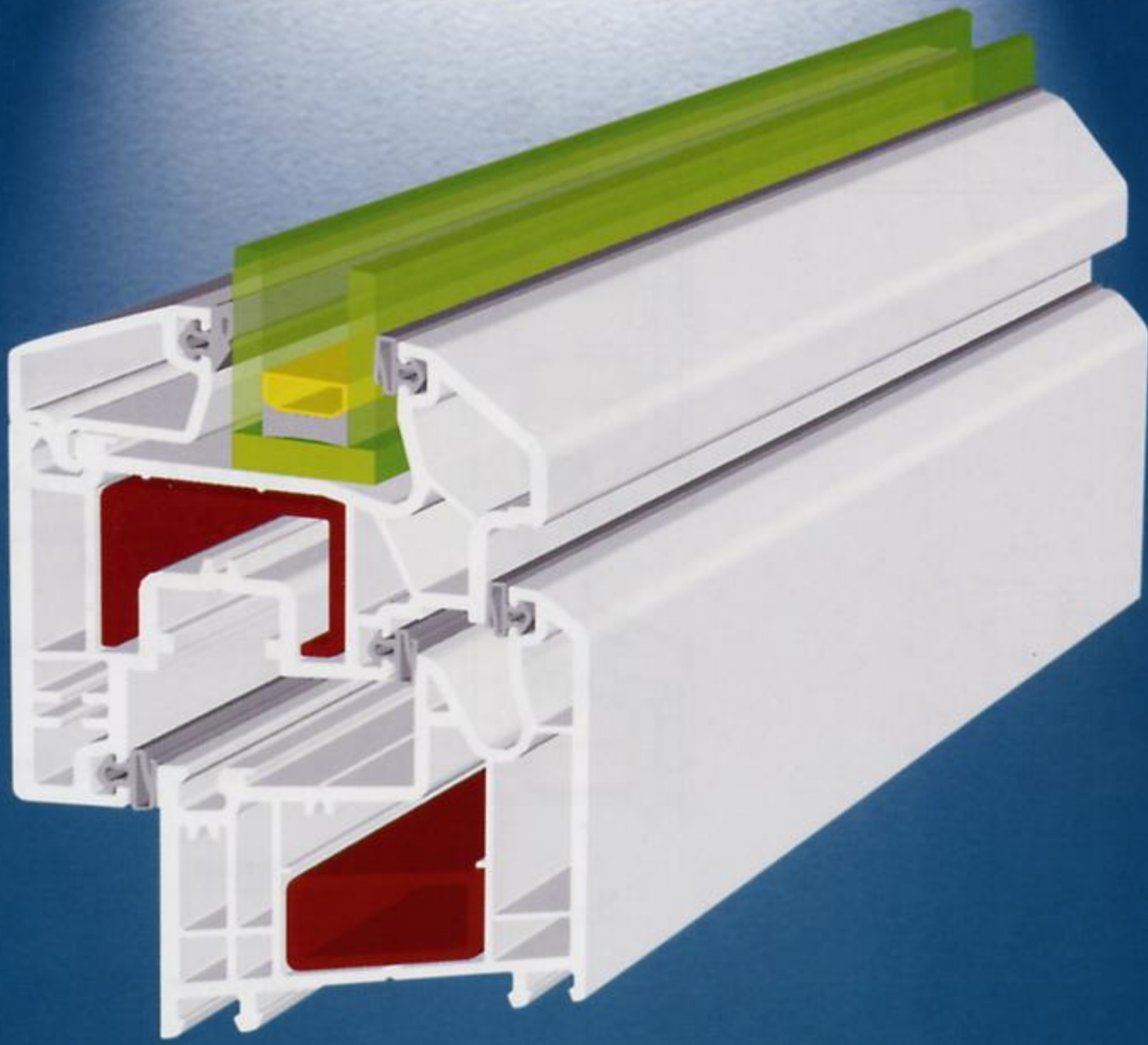
Triple Seal Inward Sash-FR65

Weight: 1.320 kg/m



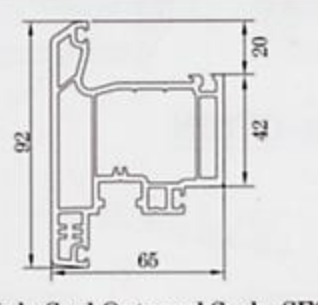
Frame Mullion-SE65

Weight: 1.450 kg/m



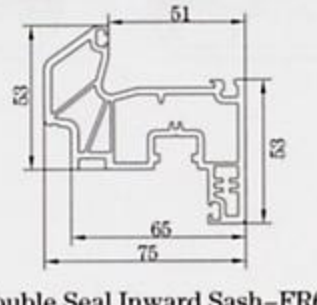
Frame Mullion-GT65N

Weight: 1.265 kg/m



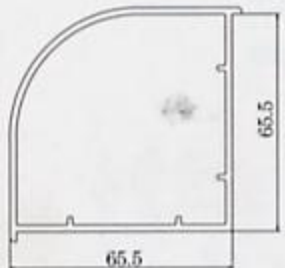
Triple Seal Outward Sash-SF65

Weight: 1.463 kg/m

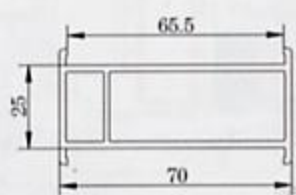


Double Seal Inward Sash-FR65N

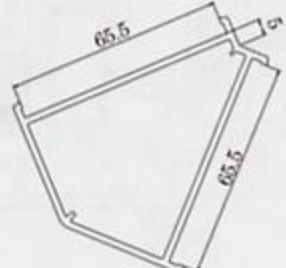
Weight: 1.361 kg/m



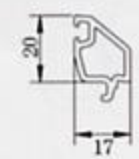
90° Corner-CE90
Weight: 0.740 kg/m



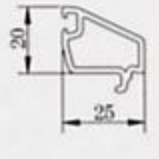
180° Corner-CE25
Weight: 0.630 kg/m



135° Corner-CE135
Weight: 0.674 kg/m



Triple Glazing Bead-GB17N
Weight: 0.175 kg/m



Double Glazing Bead-GB25N
Weight: 0.213 kg/m